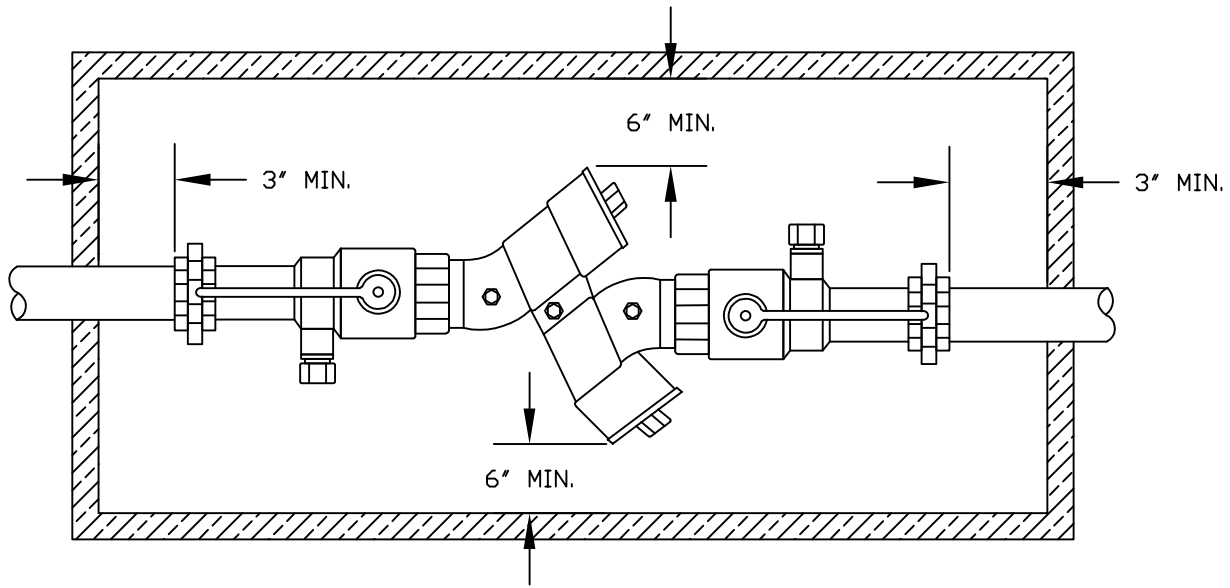
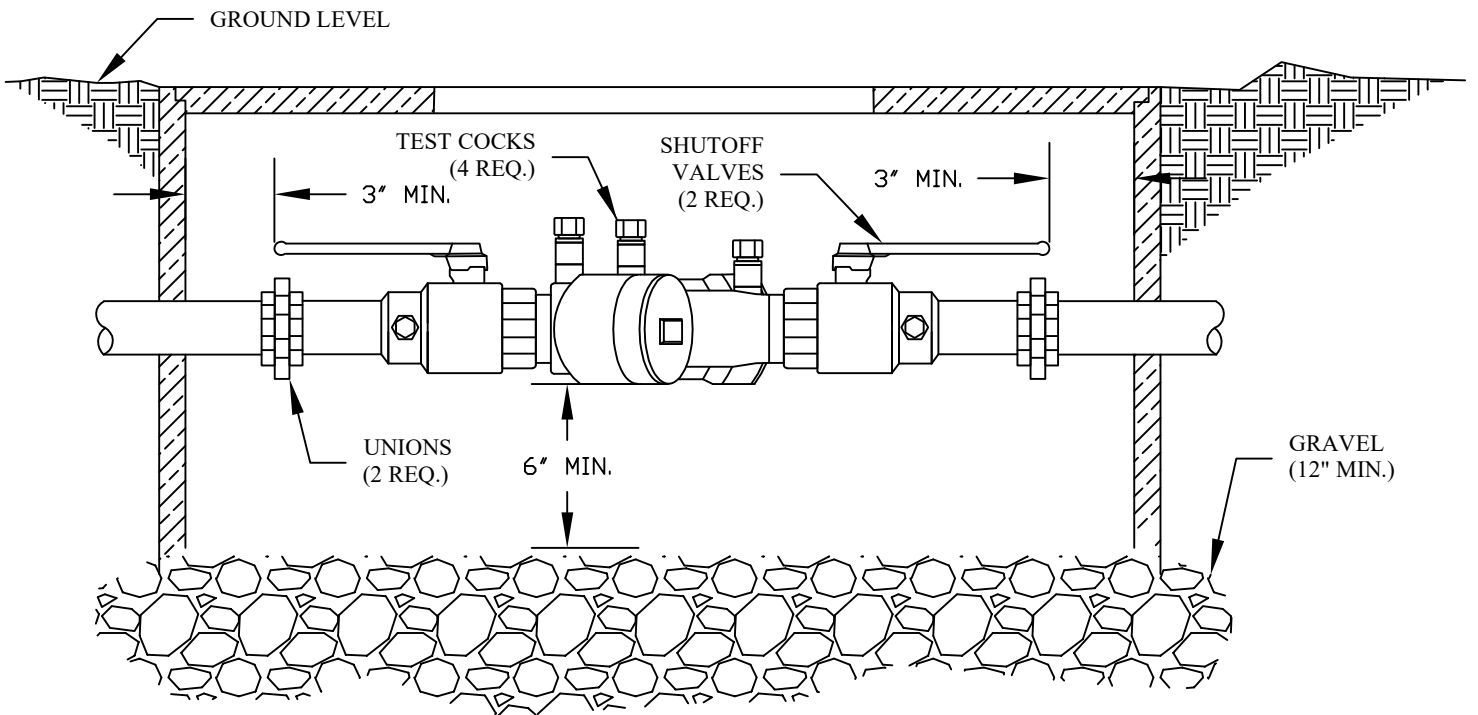


# BACKFLOW PREVENTER



TOP VIEW



SIDE VIEW

REVISED 03-15-10



CITY OF ELLENSBURG  
STANDARD PLANS & DETAILS

OUTSIDE INSTALLATION OF A  
BACKFLOW ASSEMBLY

PLAN NO.

WT-85

DRAWN BY: DKM

DATE: 06-30-03

UPDATED BY:

SCALE: NONE