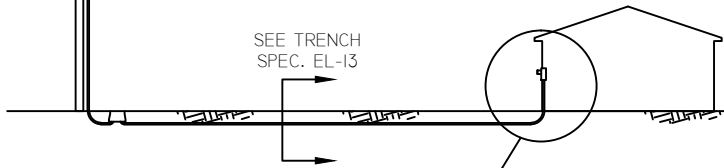


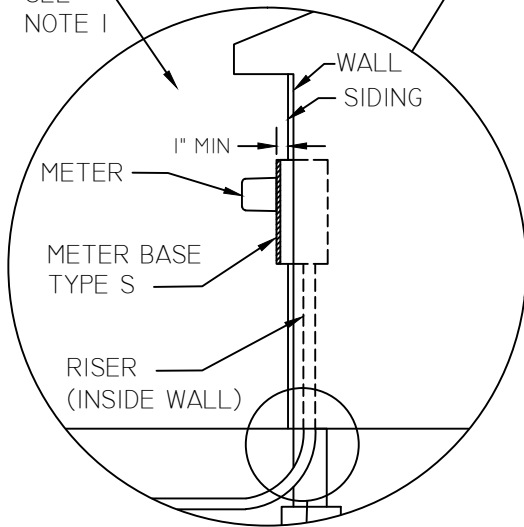
# NON-TYPICAL UNDERGROUND SERVICE

1Ø or 3Ø - (≥200AMPS TO <400AMPS)

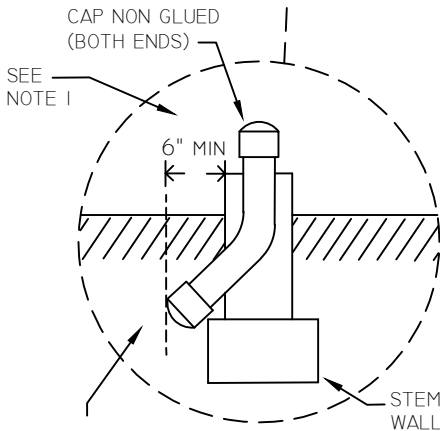
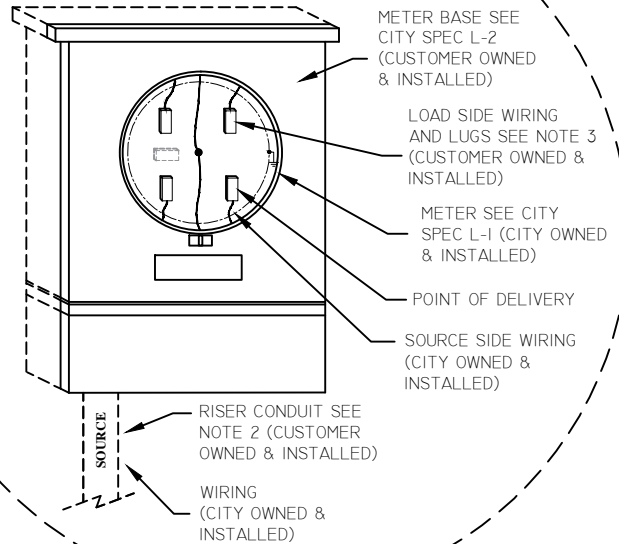


SEE TRENCH SPEC. EL-13

SEE NOTE 1



## SELF CONTAINED METER BASE



=200A - 2 1/2" PVC 45° BEND  
>200A - 3" PVC 45° BEND  
PVC CENTERED IN STEM WALL  
(CUSTOMER OWNED AND INSTALLED)

### GENERAL NOTES:

1) FOR RECESSED METER BASES, ALL OF THE FOLLOWING MUST APPLY:

- METER BASE MUST BE OF TYPE #U-204F
- ENTIRE METER BASE LID MUST BE EXPOSED ON EXTERIOR WALL AND MUST BE MIN. 1" OUTSIDE FINAL EXTERIOR SIDING
- MUST HAVE NO BENDS OR REDUCERS INSIDE WALL
- 45° BEND STRAIGHT OUT OF STEM WALL
- BOTH ENDS CAPPED (NON GLUED)
- CITY OF ELLENSBURG MUST INSPECT AND APPROVE THE ELBOW PRIOR TO POURING STEM WALL.

2) INSTALL RISER CONDUIT ON EITHER THE LEFT OR RIGHT SIDE OF THE METER BASE. (DO NOT CENTER THE RISER CONDUIT ON THE METER BASE)

3) FOR METER BASE TERMINAL LAYOUT SEE CITY SPEC L-1 FOR DETAILS

4) EQUIPMENT OWNED & INSTALLED BY THE CUSTOMER SHALL BE INSPECTED AND APPROVED BY THE STATE ELECTRICAL INSPECTOR PRIOR TO BEING ENERGIZED BY THE UTILITY.

REVISED 8/17/17

<b>City of Ellensburg – Energy Services</b> <b>Standard Design Practices</b>		<b>UNDERGROUND SERVICES (≥200AMPS TO &lt;400AMPS)</b> <b>POINT OF DELIVERY &amp; OWNERSHIP</b>	
APPROVED BY: PM	SCALE: NTS	FILE NAME: P:\PROJECTS\LIGHT\STANDARDS LIBRARY\ELECTRIC STANDARDS & SPECS\I-STANDAR PRACTICES\ L METERING\L-4.DWG	PLAN NUMBER: <b>L-9</b>
DRAWN BY: TH	DATE: 8/15/2017		